

SMD POWER INDUCTORS

Series **PT** *Shielded*



FEATURES

- ◆ Low profile and square
- ◆ Magnetically shield and low DC resistance
- ◆ Suitable for large currents
- ◆ Excellent solderability and high heat resistance
- ◆ Low cost and packed in embossed carrier tape

APPLICATION

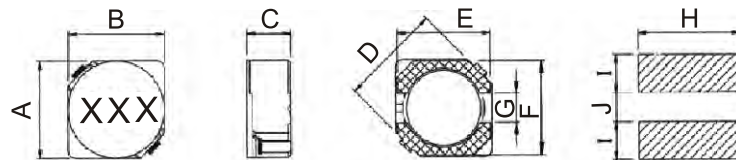
- ◆ LCD Monitor
- ◆ P.D.A
- ◆ Notebook PC
- ◆ Power supply for VTR
- ◆ Digital camera
- ◆ Small size communication equipment

PRODUCT IDENTIFICATION

$\frac{PT}{a}$ $\frac{04}{b}$ $\frac{X}{c}$ $\frac{18}{d}$ $\frac{2}{e}$ $\frac{M}{f}$ $\frac{10U}{g}$

- a : Type of products - SMD Power Inductors PT series.
- b : Dimension(mm) - 04 : 4.0X4.0mm, 05 : 5.0X5.0, 06 : 6.0X6.0, 07 : 7.0X7.0
- c : Materials - X = No Define
- d : Thickness(mm) - 18 = 1.8, 20 = 2.0, 30 = 3.2, 40 = 4.0
- e : Packing - PCS/REEL - 1 = 1000, L=3500
- f : Tolerance - K : $\pm 10\%$ M : $\pm 20\%$
- g : Inductance - 100N = 0.1uH, 10U = 10.0 uH, 1M2 = 1200uH

SHAPES & DIMENSIONS



DIMENSIONS (mm)
LAND PATTERN (mm)

Unit : mm

Type	A	B	C	D	E	F	G	H	I	J
PT04X18	4.0 Max	4.0 Max	1.8 Max	5.6 Max	3.5	3.5	1.0	4.6	1.60	1.4
PT04X20	4.0 Max	4.0 Max	2.0 Max	5.6 Max	3.7	3.7	1.0	4.6	1.60	1.4
PT04X30	4.0 Max	4.0 Max	3.2 Max	5.6 Max	3.7	3.7	1.0	4.6	1.60	1.4
PT05X20	5.0 Max	5.0 Max	2.0 Max	6.9 Max	4.5	4.5	1.5	5.3	1.90	1.5
PT05X30	5.0 Max	5.0 Max	3.0 Max	6.9 Max	4.5	4.5	1.5	5.3	1.90	1.5
PT06X20	6.0 Max	6.0 Max	2.0 Max	8.2 Max	5.5	5.5	2.0	6.3	2.15	2.0
PT06X30	6.0 Max	6.0 Max	3.0 Max	8.2 Max	5.5	5.5	2.0	6.3	2.15	2.0
PT07X20	7.0 Max	7.0 Max	2.0 Max	9.5 Max	6.5	6.5	2.0	7.3	2.65	2.0
PT07X30	7.0 Max	7.0 Max	3.0 Max	9.5 Max	6.5	6.5	2.0	7.3	2.65	2.0
PT07X40	7.0 Max	7.0 Max	4.0 Max	9.5 Max	6.5	6.5	2.0	7.3	2.65	2.0

SMD POWER INDUCTORS

Series **PT Shielded**

ELECTRICAL CHARACTERISTICS

TEST FREQUENCY 0.8uH ~ 8.2uH @ 100KHz / 0.25V 10uH ~ 10000uH @ 1KHz / 0.25V

Part Number	Inductance L (μH)	RDC (Ω) max.	Rated DC Current (A) Min.	Part Number	Inductance L (μH)	RDC (Ω) max.	Rated DC Current (A) Min.
PT04X18L□1U	1.0	0.030	2.00	PT04X30L□15U	15	0.213	0.90
PT04X18L□1U2	1.2	0.048	1.80	PT04X30L□22U	22	0.335	0.76
PT04X18L□1U5	1.5	0.040	1.60	PT04X30L□33U	33	0.481	0.58
PT04X18L□1U8	1.8	0.046	1.4	PT04X30L□47U	47	0.599	0.48
PT04X18L□2U2	2.2	0.054	1.3	PT05X20L□1U	1.0	0.025	1.72
PT04X18L□2U7	2.7	0.069	1.1	PT05X20L□1U2	1.2	0.027	1.68
PT04X18L□3U3	3.3	0.075	1.0	PT05X20L□1U5	1.5	0.034	1.65
PT04X18L□3U9	3.9	0.090	0.9	PT05X20L□1U8	1.8	0.065	1.44
PT04X18L□4U7	4.7	0.112	0.85	PT05X20L□2U2	2.2	0.043	1.32
PT04X18L□5U6	5.6	0.118	0.8	PT05X20L□2U7	2.7	0.055	1.28
PT04X18L□6U8	6.8	0.141	0.7	PT05X20L□3U3	3.3	0.066	1.01
PT04X18L□8U2	8.2	0.184	0.65	PT05X20L□3U9	3.9	0.074	0.88
PT04X18L□10U	10	0.230	0.60	PT05X20L□4U7	4.7	0.089	0.845
PT04X18L□12U	12	0.250	0.54	PT05X20L□5U6	5.6	0.118	0.80
PT04X18L□15U	15	0.310	0.50	PT05X20L□6U8	6.8	0.143	0.76
PT04X18L□18U	18	0.380	0.42	PT05X20L□8U2	8.2	0.155	0.68
PT04X18L□22U	22	0.500	0.38	PT05X20L□10U	10	0.179	0.61
PT04X18L□27U	27	0.570	0.35	PT05X20L□12U	12	0.216	0.56
PT04X18L□33U	33	0.750	0.30	PT05X20L□15U	15	0.24	0.50
PT04X18L□39U	39	0.800	0.28	PT05X20L□18U	18	0.338	0.48
PT04X18L□47U	47	0.840	0.26	PT05X20L□22U	22	0.397	0.41
PT04X20L□1U	1	0.056	2.50	PT05X20L□27U	27	0.441	0.35
PT04X20L□1U5	1.5	0.073	2.30	PT05X20L□33U	33	0.570	0.32
PT04X20L□1U8	1.8	0.083	2.00	PT05X20L□39U	39	0.709	0.30
PT04X20L□2U2	2.2	0.096	1.90	PT05X20L□47U	47	0.78	0.28
PT04X20L□2U7	2.7	0.124	1.70	PT05X20L□56U	56	0.97	0.26
PT04X20L□3U3	3.3	0.127	1.50	PT05X20L□68U	68	1.300	0.24
PT04X20L□3U9	3.9	0.162	1.40	PT05X20L□82U	82	1.350	0.22
PT04X20L□4U7	4.7	0.188	1.35	PT05X20L□100U	100	1.560	0.20
PT04X20L□5U6	5.6	0.230	1.20	PT05X20L□120U	120	1.95	0.18
PT04X20L□6U8	6.8	0.270	1.10	PT05X20L□150U	150	2.15	0.15
PT04X20L□10U	10	0.390	0.90	PT05X20L□180U	180	2.50	0.14
PT04X20L□12U	12	0.400	0.80	PT05X20L□220U	220	4.20	0.13
PT04X20L□15U	15	0.480	0.75	PT05X20L□270U	270	4.41	0.12
PT04X20L□18U	18	0.530	0.65	PT05X20L□330U	330	5.01	0.11
PT04X20L□22U	22	0.740	0.60	PT05X20L□390U	390	6.77	0.10
PT04X20L□27U	27	0.810	0.50	PT05X20L□470U	470	7.49	0.095
PT04X20L□33U	33	1.090	0.45	PT05X20L□560U	560	10.11	0.090
PT04X20L□39U	39	1.190	0.40	PT05X20L□680U	680	12.79	0.085
PT04X20L□47U	47	1.680	0.35	PT05X20L□820U	820	14.25	0.080
PT04X30L□3U3	3.3	0.072	2.00	PT05X20L□1M	1000	16.15	0.075
PT04X30L□4U7	4.7	0.088	1.65	PT05X20L□1M2	1200	19.47	0.070
PT04X30L□6U8	6.8	0.119	1.24	PT05X20L□1M5	1500	22.38	0.065
PT04X30L□10U	10	0.145	1.05	PT05X30L□1U	1.0	0.027	2.7

SMD POWER INDUCTORS

Series **PT Shielded**

ELECTRICAL CHARACTERISTICS

TEST FREQUENCY 0.8uH ~ 8.2uH @ 100KHz / 0.25V 10uH ~ 10000uH @ 1KHz / 0.25V

Part Number	Inductance L (μH)	RDC (Ω) max.	Rated DC Current (A) min.	Part Number	Inductance L (μH)	RDC (Ω) max.	Rated DC Current (A) min.
PT05X30L□1U2	1.2	0.0240	2.56	PT06X20L□22U	22	0.350	0.80
PT05X30L□1U5	1.5	0.03	2.46	PT06X20L□27U	27	0.380	0.75
PT05X30L□1U8	1.8	0.031	2.2	PT06X20L□33U	33	0.480	0.65
PT05X30L□2U	2	0.0300	2.1	PT06X20L□39U	39	0.600	0.57
PT05X30L□2U2	2.2	0.0350	2.04	PT06X20L□47U	47	0.700	0.54
PT05X30L□2U7	2.7	0.0380	1.80	PT06X20L□56U	56	0.840	0.50
PT05X30L□3U3	3.3	0.0430	1.57	PT06X20L□68U	68	0.950	0.43
PT05X30L□3U9	3.9	0.059	1.44	PT06X20L□82U	82	1.240	0.41
PT05X30L□4U7	4.7	0.062	1.32	PT06X20L□100U	100	1.340	0.36
PT05X30L□5U6	5.6	0.074	1.17	PT06X20L□470U	470	6.56	0.18
PT05X30L□6U8	6.8	0.087	1.12	PT06X30L□2U7	2.7	0.033	2.60
PT05X30L□8U2	8.2	0.100	1.04	PT06X30L□3U	3.0	0.024	2.40
PT05X30L□10U	10	0.125	1.0	PT06X30L□3U3	3.3	0.035	2.30
PT05X30L□12U	12	0.136	0.84	PT06X30L□3U9	3.9	0.044	2.20
PT05X30L□15U	15	0.173	0.76	PT06X30L□4U2	4.2	0.031	2.10
PT05X30L□18U	18	0.208	0.72	PT06X30L□4U7	4.7	0.037	2.00
PT05X30L□22U	22	0.222	0.70	PT06X30L□5U3	5.3	0.038	1.90
PT05X30L□27U	27	0.261	0.58	PT06X30L□6U2	6.2	0.045	1.80
PT05X30L□33U	33	0.331	0.56	PT06X30L□6U8	6.8	0.050	1.70
PT05X30L□39U	39	0.384	0.50	PT06X30L□8U2	8.2	0.053	1.60
PT05X30L□47U	47	0.380	0.48	PT06X30L□10U	10	0.091	1.30
PT05X30L□56U	56	0.480	0.41	PT06X30L□12U	12	0.098	1.20
PT05X30L□68U	68	0.600	0.35	PT06X30L□15U	15	0.115	1.10
PT05X30L□82U	82	0.660	0.32	PT06X30L□18U	18	0.138	1.00
PT05X30L□100U	100	0.83	0.29	PT06X30L□22U	22	0.160	0.90
PT05X30L□120U	120	0.950	0.27	PT06X30L□27U	27	0.203	0.85
PT05X30L□150U	150	1.180	0.24	PT06X30L□33U	33	0.238	0.75
PT05X30L□180U	180	1.330	0.22	PT06X30L□39U	39	0.270	0.70
PT05X30L□220U	180	1.500	0.21	PT06X30L□47U	47	0.330	0.62
PT06X20L□1U	1.0	0.028	3.86	PT06X30L□56U	56	0.400	0.58
PT06X20L□1U5	1.5	0.036	3.12	PT06X30L□68U	68	0.510	0.52
PT06X20L□2U2	2.2	0.043	2.63	PT06X30L□82U	82	0.570	0.46
PT06X20L□2U5	2.5	0.051	2.50	PT06X30L□100U	100	0.690	0.42
PT06X20L□2U7	2.7	0.063	2.40	PT06X30L□220U	220	2.500	0.25
PT06X20L□3U	3.3	0.053	2.30	PT07X20L□3U3	3.3	0.050	3.00
PT06X20L□3U9	3.9	0.065	2.00	PT07X20L□6U8	6.8	0.124	2.00
PT06X20L□4U1	4.1	0.077	1.95	PT07X20L□10U	10	0.170	1.74
PT06X20L□4U7	4.7	0.072	1.76	PT07X20L□15U	15	0.246	1.30
PT06X20L□5U6	5.6	0.083	1.60	PT07X20L□22U	22	0.456	0.92
PT06X20L□6U8	6.8	0.109	1.50	PT07X20L□47U	47	0.672	0.75
PT06X20L□8U2	8.2	0.116	1.25	PT07X30L□3U	3.0	0.024	3.00
PT06X20L□10U	10	0.139	1.20	PT07X30L□3U9	3.9	0.027	2.60
PT06X20L□12U	12	0.195	1.10	PT07X30L□4U7	4.7	0.029	2.50
PT06X20L□15U	15	0.220	0.97	PT07X30L□5U	5.0	0.031	2.40
PT06X20L□18U	18	0.270	0.85	PT07X30L□5U3	5.3	0.033	2.30

SMD POWER INDUCTORS

Series **PT** *Shielded*

ELECTRICAL CHARACTERISTICS

TEST FREQUENCY 0.8uH ~ 8.2uH @ 100KHz / 0.25V 10uH ~ 10000uH @ 1KHz / 0.25V

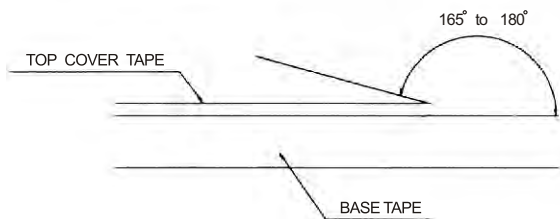
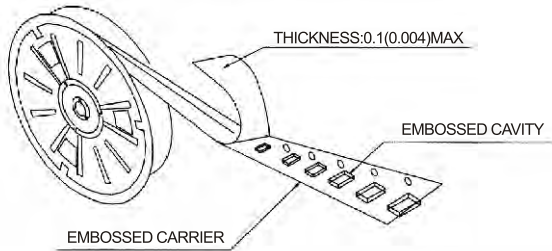
Part Number	Inductance L (μ H)	RDC (Ω) max.	Rated DC Current (A) min.
PT07X30L□6U	6	0.035	2.25
PT07X30L□6U8	6.8	0.052	2.20
PT07X30L□7U3	7.3	0.054	2.10
PT07X30L□8U6	8.6	0.058	1.85
PT07X30L□10U	10	0.065	1.70
PT07X30L□12U	12	0.070	1.55
PT07X30L□15U	15	0.084	1.40
PT07X30L□18U	18	0.095	1.32
PT07X30L□22U	22	0.128	1.20
PT07X30L□27U	27	0.142	1.05
PT07X30L□33U	33	0.165	0.97
PT07X30L□39U	39	0.210	0.86
PT07X30L□47U	47	0.238	0.80
PT07X30L□56U	56	0.277	0.73
PT07X30L□68U	68	0.304	0.65
PT07X30L□82U	82	0.390	0.60
PT07X30L□100U	100	0.535	0.54
PT07X401□3U3	3.3	0.026	3.50
PT07X401□3U9	3.9	0.028	3.00
PT07X401□5U6	5.6	0.024	2.90
PT07X401□6U8	6.8	0.039	2.30
PT07X401□7U4	7.4	0.031	2.30
PT07X401□8U7	8.7	0.034	2.20
PT07X401□10U	10	0.053	2.00
PT07X401□12U	12	0.060	1.70
PT07X401□15U	15	0.073	1.60
PT07X401□18U	18	0.086	1.50
PT07X401□22U	22	0.099	1.30
PT07X401□27U	27	0.117	1.20
PT07X401□33U	33	0.146	1.10
PT07X401□39U	39	0.187	1.00
PT07X401□47U	47	0.217	0.95
PT07X401□56U	56	0.230	0.85
PT07X401□68U	68	0.270	0.75
PT07X401□82U	82	0.330	0.70
PT07X401□100U	100	0.420	0.65
PT07X401□330U	330	1.250	0.39

SMD POWER INDUCTORS

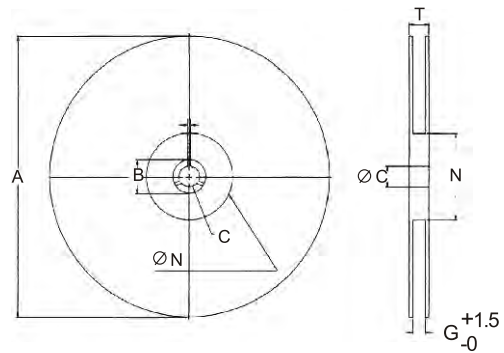
Series **PT** *Shielded*

PACKAGING FOR SMD

CARRIER TAPE REELS



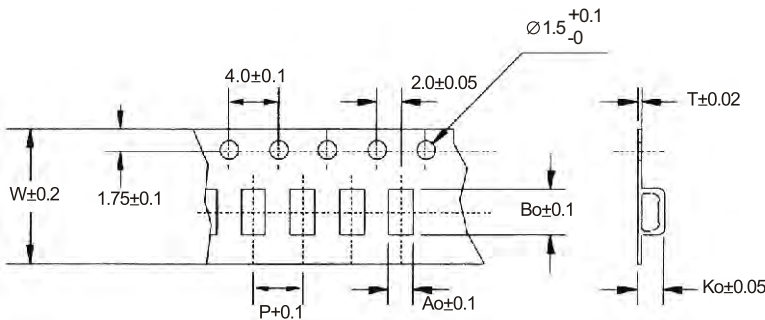
The force for tearing off cover tape is 10 to 60 grams in the arrow direction.



Unit : mm

Width	A	B	C	G	N	T	MATERIALS
8mm	178	21.0±0.8	13.0±0.2	8.4	55	12.4	PLASTIC
12mm	178	21.0±0.8	13.0±0.2	12.4	55	16.4	PAPER
16mm	178	21.0±0.8	13.0±0.2	16.4	55	20.4	PAPER
24mm	178	21.0±0.8	13.0±0.2	24.4	100	28.4	PLASTIC
12mm	330	21.0±0.8	13.0±0.2	12.4	100	16.4	PLASTIC
16mm	330	21.0±0.8	13.0±0.2	16.4	100	20.4	PLASTIC
24mm	330	21.0±0.8	13.0±0.2	24.4	100	28.4	PLASTIC
24mm	330	21.0±0.8	13.0±0.2	24.4	75	28.4	PLASTIC
24mm	330	21.0±0.8	13.0±0.2	24.4	75	28.4	PLASTIC
32mm	330	21.0±0.8	13.0±0.2	32.4	75	36.0	PLASTIC

TAPE DIMENSION / PACKAGING



Unit : mm

Type	A0	B0	K0	W	P	T	Q'ty/Reel
PT04X18	4.3	4.30	2.2	12	8	0.30	3,500
PT04X20	4.3	4.30	2.2	12	8	0.30	3,500
PT04X30	4.3	4.30	2.2	12	8	0.30	3,500
PT05X20	5.4	5.40	2.3	16	8	0.35	3,500
PT05X30	5.4	5.40	3.2	12	8	0.35	3,500
PT06X20	6.3	6.35	2.3	16	12	0.35	3,500
PT06X30	6.3	6.30	3.4	16	12	0.35	3,500
PT07X20	6.3	6.30	3.4	16	12	0.35	3,500
PT07X30	7.6	7.60	3.7	16	12	0.40	3,500
PT07X40	7.6	7.60	5.4	16	12	0.40	1,000

